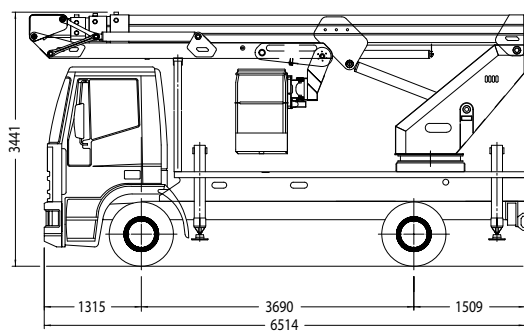
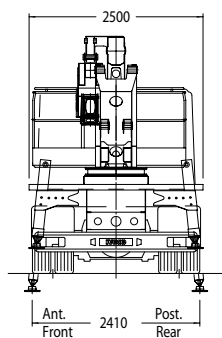


SPECIFICATION

BIZZOCCHI 260 HR

- Telescopic boom (4 elements) (main boom + 3 extensions) • Not extendable jib with opening angle 180° • 360° continuous turret rotation on bearing turntable including electric/hydraulic swivel • Proportional electrohydraulic controls with simultaneous manoeuvres (ergonomic joysticks) • Engine start/stop control from basket • Anti slip aluminium flatbed decking • Aluminium basket (2200 x 700 x 1100 mm) • 65° Right + 65° Left hydraulic rotating basket • Automatic basket levelling by hydraulic parallelogram • Basket load sensing device • N° 4 hydraulic outriggers with ground pressure sensors • 220V AC CE Electric socket in the basket • Buzzer indicating PTO engaged • Hour meter • N° 1 flashing beacon

PLATFORM DIMENSIONS



PERFORMANCES

Working height	26 m
Platform height	24 m
Capacity	120/200 kg
Working outreach	15,0/13,5 m

Installation on 12t GVW chassis

WORKING AREA

