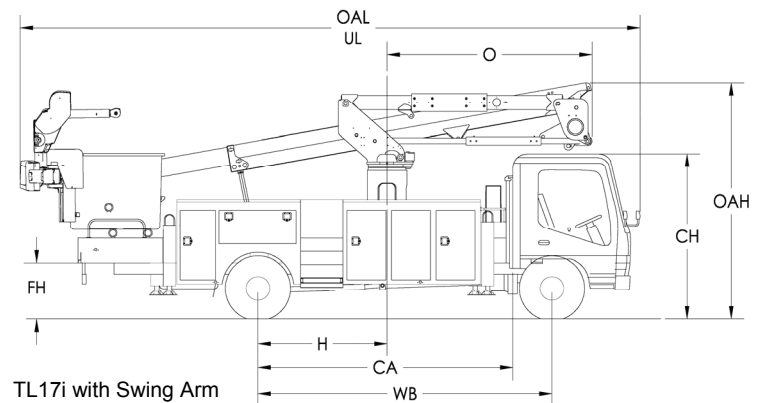
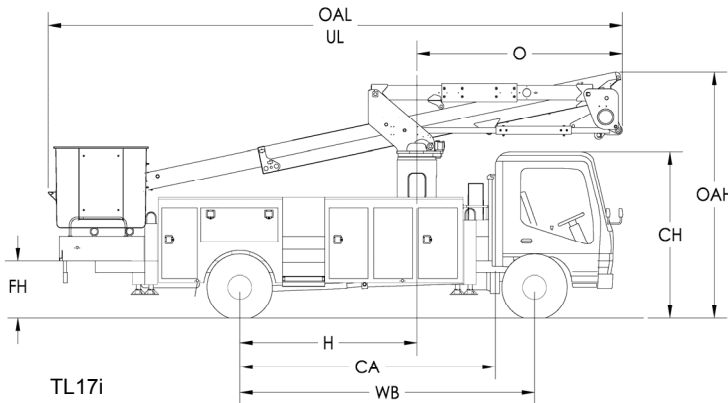


# TL17i SERIES

## Hi-Ranger Telescopic Material Handling Aerial Devices

### AERIAL DEVICES

Terex® Hi-Ranger Aerial Devices are known throughout the industry. They come with a long history featuring quality and innovative design.

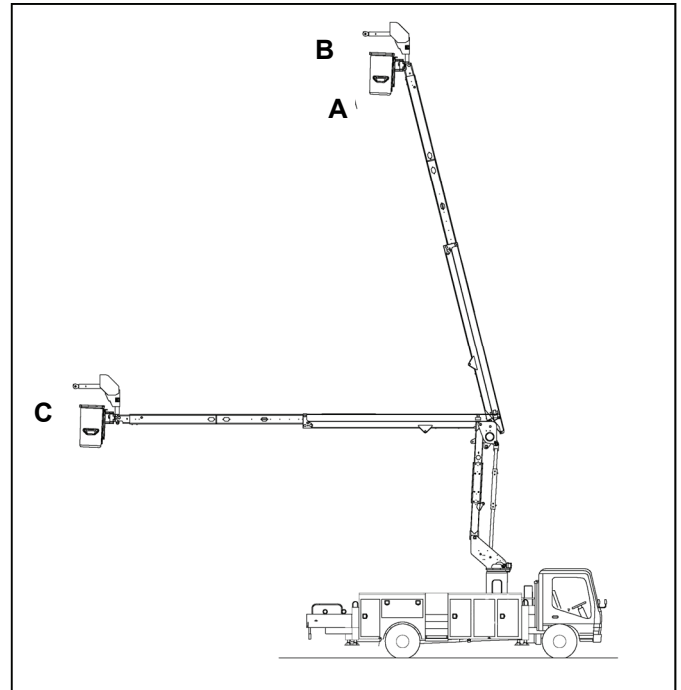


#### MEASUREMENTS

	TL17i	TL17i with Swing Arm Option
Typical Frame Height (FH)	80 cm (31.5 inches)	80 cm (31.5 inches)
Typical Cab Height (CH)	235 cm (92.5 inches)	235 cm (92.5 inches)
Offset (O)	290.8 cm (114.5 inches)	290.8 cm (114.5 inches)
Overall Height (OAH)	3.5 m (11' 5")	3.3 m (10' 11")
Overall Length (OAL)	8.1 m (26' 8")	8.3 m (27' 3")
Unit Length (UL)	8.1 m (26' 8")	7.5 m (24' 6")
Center of Rotation from Rear Axle (H)	251 cm (98.8 inches)	251 cm (98.8 inches)
Cab to Axle from Rear Axle (CA)	360.7 cm (142 inches)	360.7 cm (142 inches)
Wheel Base (WB)	416.6 cm (164 inches)	416.6 cm (164 inches)
Front Axle (FA)	6,350 Kg (14,000 lbs.)	6,350 Kg (14,000 lbs.)
Rear Axle (RA)	8,618 Kg (19,000 lbs.)	8,618 Kg (19,000 lbs.)
Gross Vehicle Weight Rating (GVWR)	14,969 Kg (33,000 lbs.)	14,969 Kg (33,000 lbs.)
Recommended Weight for Stability	9,752 Kg (21,500 lbs.)	9,752 Kg (21,500 lbs.)
Frame Section Modulus	17.2 in <sup>3</sup>	17.2 in <sup>3</sup>
Frame Yield Strength	110,000 psi	110,000 psi
Frame RBM	900,000 in-lbs	900,000 in-lbs

### STANDARD EQUIPMENT

- End Mounted 61 cm x 122 cm x 107 cm (24 x 48 x 42") Two-Person Platform
- Platform Capacity of up to 272 Kg (600 lbs.)
- Platform Liner and Cover
- Single Stick 4-Function Control at Platform
- Safety Harness With Attached Lanyard
- Continuous Unrestricted Worm Gear Rotation
- Category "B" Rating Per ANSI A92.2
- Rectangular, Bi-Axial Epoxy Resin, Filament Wound Fiberglass Booms
- Individual Lever Lower Controls
- Hydraulic Platform Rotator
- Hydraulic Platform Leveling System
- Steel Main Boom
- Fiberglass Second Section Boom
- Fiberglass Lift Boom Insert
- Full Pressure, Open-Center Hydraulic System
- Hydraulic Tool Outlets (Dual outlets with flow control)
- Two Speed Engine Control at Boom Tip & Lower Controls
- Engine Stop/Start at Boom Tip and Lower Controls
- External 110 Liter (29 Gallon) Hydraulic Oil Reservoir with sight gauge & thermometer
- 137 cm (54 in.) Pedestal for up to 152 cm (60 in.) Cab Height
- Padded Lower Boom Rest
- 24-Volt System
- Truck Leveling Indicator



### CAPACITIES AND DIMENSIONAL DATA (Based on a 1.0 meter Frame Height)

MODEL	Bottom of Platform Height (A)	Working Height (B)	Horizontal Reach (C)	Boom Travel	
				Lower Boom	Upper Boom
TL17i	15.1 m (49.5 ft)	16.8 m (55.1 ft)	11.1 m (36.4 ft)	0° to 87°	-40° to 76°
TL17i SA	15.6 m (51.2 ft)	17.3 m (56.8 ft)	12.9 m (42.3 ft)	0° to 87°	-40° to 76°

### OPTIONAL EQUIPMENT

Optional Packages	Top Mounted Jib, 490 kg (1080 lbs) Capacity	50 cm Platform Lift (20 inch)	Swing Arm Option
Option 1	X		
Option 2	X	X	
Option 3*	X		X
Option 4*	X	X	X

\*3-Function Radio Controlled

- Single Wire / 46 KV Insulated Single Line Lifter / Multi-phase attachment
- Rotational Gearbox Brake
- Auxiliary Power: Allows the operation of any function for a time period limited by the battery life.
- Boom Overstow Protection
- Boom Storage Warning Light
- Boom Interlock
- Lower Boom Lift Eye
- Fire Retardant Platform
- Outriggers
- Outrigger Controls
- Moving Outrigger Alarm
- Truck Grounding Cable & Clamp

Effective Date: December, 2011. Product specifications and prices are subject to change without notice or obligation. The photographs and/or drawings in this document are for illustrative purposes only. Refer to the appropriate Operator's Manual for instructions on the proper use of this equipment. Failure to follow the appropriate Operator's Manual when using our equipment or to otherwise act irresponsibly may result in serious injury or death. The only warranty applicable to our equipment is the standard written warranty applicable to the particular product and sale and Terex makes no other warranty, express or implied. Products and services listed may be trademarks, service marks or trade-names of Terex Corporation and/or its subsidiaries in the USA and other countries. All rights are reserved. Terex® is a registered trademark of Terex Corporation in the USA and many other countries. Copyright 2011 Terex Corporation.