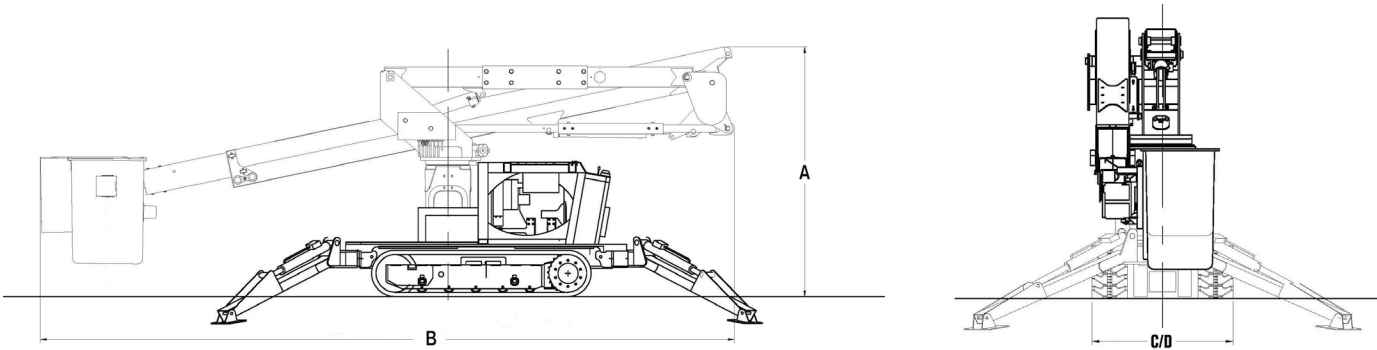


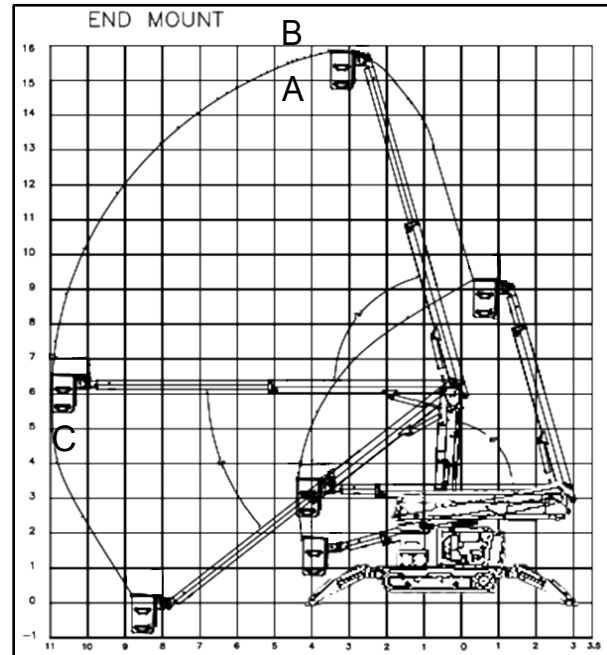
The Terex® TL aerial on an SDP rubber tracked carrier offers the height and reach of a truck-mounted aerial combined with the ability to access restrictive and tight spaces.



DIMENSIONS/CAPACITIES	TL50P
Unit Height (A)	2.3 m (7' 10")
Unit Length (B)	7.3 m (23' 10")
Maximum Jib Capacity	NA
Lower Boom Articulation	0 - 82°
Upper Boom Travel	-40 - 76°
Width (Tracks Retracted) (C)	90.17 cm (35.5")
Width (Tracks Extended) (D)	132 cm (52")
Gross Vehicle Weight Rating	5,443 kg (12,000 lbs)
Basket Size	60cm x 120cm (24" x 48")
Basket Capacity	181 kg (400 lbs)
Insulation Gap Lower Boom	61.0 cm (24")
Insulation Gap Upper Boom Retracted	96.5 cm (38")
Insulation Gap Upper Boom Extended	208.3 cm (82")
Outrigger footprint	4.02 m x 4.20 m (13'2" x 13'9")
Ground Pressure	5.0 PSI

STANDARD EQUIPMENT

- 600mm x 1220mm (24" x 48") End mounted basket
- 181 kg (400 lbs.) basket capacity
- 360-degree continuous unrestricted worm gear rotation
- Travel stability is 10 degrees up / down and side / side
- 2-speed track drive w/skid steer type steering
- Automatic hydraulic radial outriggers
- Basket rotator (90° - 180°)
- Engine start/stop @ basket
- Engine 2-speed @ basket
- Isolation rating 66 kV
- Control-Plus 4-function single stick control at platform
- Radio remote drive/outrigger controls
- Rectangular, bi-axial epoxy resin, filament wound fiberglass boom
- Steel main boom
- Fiberglass second section boom
- Individual leveler lower controls
- Hydraulic platform leveling system
- Full pressure, open center hydraulic system
- Safety harness wth attached lanyard
- Hydraulic tool outlets at platform
- Hydraulic tool outlets below rotation
- Forestry guards over engine and controls
- Level indicator
- Hydraulic oil cooler
- Platform liner
- Vinyl platform cover
- Outrigger / Boom interlock
- Rotation brake
- Auxiliary let down
- Tilt alarm
- 36 HP Yanmar Tier IV diesel engine
- 50 hours run time w/38 litre fuel tank



DIMENSIONAL DATA

Bottom of Platform Height (A)

Working Height (B)

Horizontal (Side) Reach (C)

TL50P

14.3 m
(47')

16.3 m
(53')

11.0 m
(36')

▪ 600mm (2') hydraulic basket lifter
(increases working height by 600mm)

▪ Outrigger / Movement alarms
▪ Sound deadening system ▪ Ground mats

▪ 12V recovery winch
(recommended for
use with hydraulic operated tools)

Effective: 07/2015. Product specifications and prices are subject to change without notice or obligation. The photographs and/or drawings in this document are for illustrative purposes only. Refer to the appropriate Operator's Manual for instructions on the proper use of this equipment. Failure to follow the appropriate Operator's Manual when using our equipment or to otherwise act irresponsibly may result in serious injury or death. The only warranty applicable to our equipment is the standard written warranty applicable to the particular product and sale and Terex makes no other warranty, express or implied. Terex, the Terex Crown Design and Works For You are trademarks of Terex Corporation or its subsidiaries. All rights reserved. Copyright 2015 Terex Corporation.