



# TEREX®

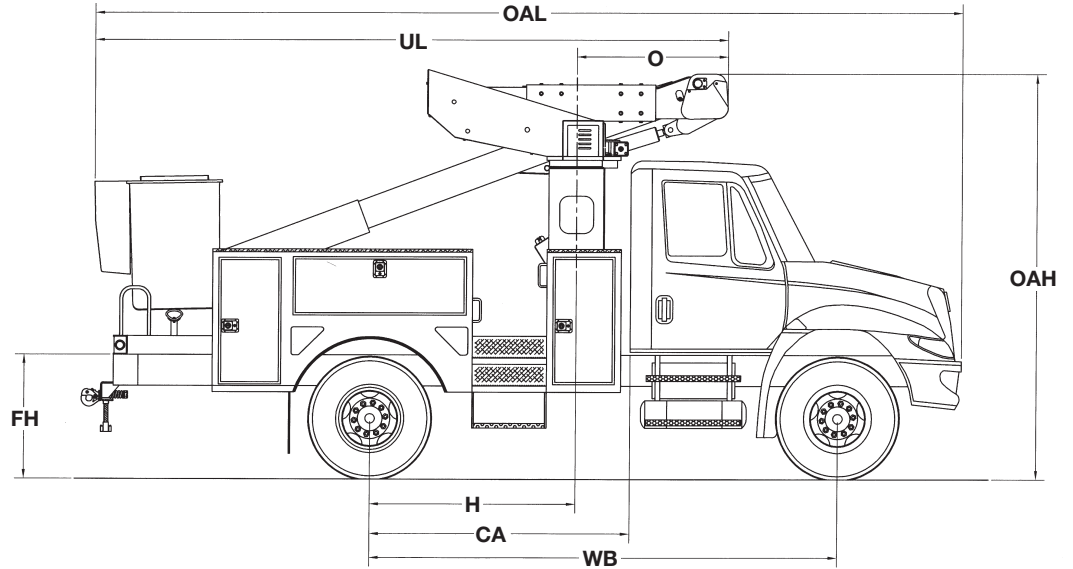
## Utilities

# TPL SERIES

## Hi-Ranger Telescopic Articulating Aerial Device

### AERIAL DEVICES

Terex® Hi-Ranger Aerial Devices are known throughout the industry. They come with a long history featuring quality and innovative design.



Measurements	TPL36	TPL40
	BC	BC
Frame Height (FH)	40 in. (101.6 cm)	40 in. (101.6 cm)
Offset (O)	48 in. (121.9 cm)	48 in. (121.9 cm)
Overall Height (OAH)	10' 8" (3.3 m)	10' 8" (3.3 m)
Overall Length (OAL)	21' 2" (6.5 m)	22' 7" (6.9 m)
Unit Length (UL)	13' 10" (4.2 m)	16' 1" (4.9 m)
Center of Rotation (H)	42 in. (106.7 cm)	66 in. (167.6 cm)
Cab to Axle (CA)	60 in. (152.4 cm)	84 in. (213.4 cm)
Wheel Base (WB)	132 in. (335.3 cm)	156 in. (396.2 cm)
Front Axle (GAWR)	6,000 lb. (2,722 kg)	6,000 lb. (2,722 kg)
Rear Axle (GAWR)	13,500 lb. (6,124 kg)	13,500 lb. (6,124 kg)
Gross Vehicle Weight Rating (GVWR)	17,500 lb. (7,938 kg)	17,500 lb. (7,938 kg)
Recommended Weight For Stability	11,500 lb. (5,221 kg)	13,500 lb. (6,129 kg)
Frame Section Modulus	10.1 in <sup>3</sup>	10.1 in <sup>3</sup>
Frame Yield Strength	36,000 psi	36,000 psi
Frame RBM	360,000 in-lbs	360,000 in-lbs



## TEREX®

### Utilities

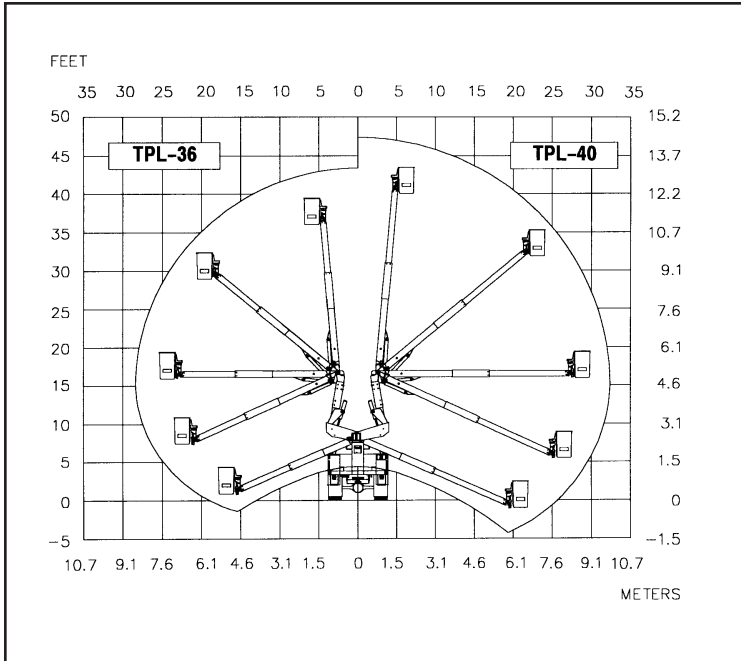
500 Oakwood Drive  
PO BOX 1150  
Watertown, SD 57201-6150  
USA

Phone: (605) 882-4000  
Facsimile: (605) 882-1842  
www.terexutilities.com  
E-mail: sales@terexutilities.com

**Distributed By:**

# TPL SERIES

## Hi-Ranger Telescopic Articulating Aerial Device



### STANDARD EQUIPMENT

- Continuous Unrestricted Rotation
- 24" x 30" x 42" One-Person End Mounted Platform
- Control-Plus Individual Lever Upper Controls
- Two Speed Throttle Control At Upper Controls
- Category "C" Rating Per ANSI A92.2
- Positive Leveling Using A Master/Slave Cylinder System
- Full Pressure Open-Center Hydraulic System
- 20 Gallon Hydraulic Oil Reservoir Inside Pedestal
- Safety Harness With Attached Lanyard
- Emergency Hydraulic Stop At Upper Controls
- Hydraulic Platform Tilt At Upper Controls
- Padded Boom And Platform Rest
- Finish Painted
- Boom Interlock
- Moving Outrigger Alarm

### CAPACITIES & DIMENSIONAL DATA

MODEL	Bottom of Platform	Working Height	Side Reach
TPL36	36.0 ft (11.0 m)	41.0 ft (12.5 m)	25.6 ft (7.8 m)
TPL40	40.0 ft (12.2 m)	45.0 ft (13.7 m)	29.6 ft (9.0 m)

### OPTIONAL EQUIPMENT

- Control-Plus "3D" Single Stick
- Auxiliary Lowering System
- Auxiliary Power System
- 180° Hydraulic Platform Rotator
- Engine Stop/Start At Platform
- Hydraulic Tool Outlets Above And/Or Below Rotation
- Various Types Of Outriggers
- Boom/Boom Stow Interlock
- Boom Overstow Protection
- Truck Grounding Cable And Clamp

Effective Date: March 1, 2007. Product specifications and prices are subject to change without notice or obligation. The photographs and/or drawings in this document are for illustrative purposes only. Refer to the appropriate Operator's Manual for instructions on the proper use of this equipment. Failure to follow the appropriate Operator's Manual when using our equipment or to otherwise act irresponsibly may result in serious injury or death. The only warranty applicable to our equipment is the standard written warranty applicable to the particular product and sale and Terex makes no other warranty, express or implied. Products and services listed may be trademarks, service marks or trade-names of Terex Corporation and/or its subsidiaries in the USA and other countries and all rights are reserved. "Terex" is a registered trademark of Terex Corporation in the USA and many other countries. Copyright 2007 Terex Corporation.